

- Ideal where Smoke Detection is Unsuitable
- Discrete Anti-Tamper Security Screw
- Latching 'Fire' LED
- Interchangeable with other 3000 Heads
- Range of Base Options
- High Resistance to False Alarm
- Fast Response Thermistor
- Reliable Heat Detection
- L.P.C.B Approved to EN54 Part 5 : 2000



3000/TEMP56
3000/TEMP64
3000/TEMP84

The Protec 3000 series of fire detectors, form a range of elegantly designed, aesthetic, low profile detectors which blend unobtrusively into modern working environments. All detectors incorporate a discreet anti tamper security screw and latching 'FIRE' LED indicator with the facility to activate a remote indicator unit. All detectors are interchangeable with a variety of base options which include relay bases, high efficiency sounder bases and sounder beacon bases.

**3000/TEMP56 -
Fast Response Rate of Rise Heat Detector**

The 3000/TEMP56 fast response heat detector incorporates dual sensing elements which are tuned to provide sensitive rate of rise and 56°C fixed temperature response. Suitable for applications where smoke detection is unsuitable but require a high sensitivity heat detector.

Approved to EN54 Part 5 : 2000 for Grade A1 requirements by the Loss Prevention Certification Board Ref. No. 201g/01

**3000/TEMP64 -
Medium Response Heat Detector**

The 3000/TEMP64 multi-purpose heat detector is calibrated to a 64°C fixed temperature limit, to provide a stable response for the majority of applications especially where sudden temperature changes could occur such as laundries and ventilated areas.

Approved to EN54 Part 5 : 2000 for Grade A2 requirements by the Loss Prevention Certification Board Ref. No. 201g/02

**3000/TEMP84 -
High Temperature Heat Detector**

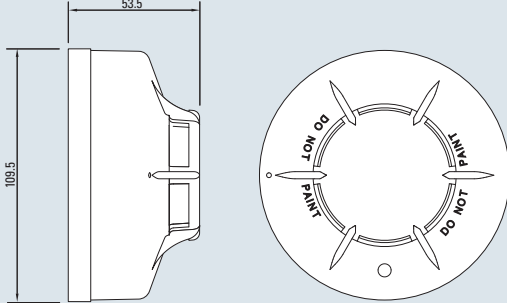
The 3000/TEMP84 heat detector is calibrated to an 84°C fixed temperature limit, to provide reliable heat detection in areas of high ambient temperature.

Suitable for applications such as boiler rooms and kitchens.

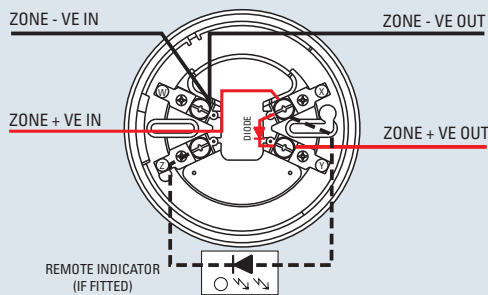
Designed to EN54 Part 5 : 2000 for Grade B Requirements.

3000/TEMP Technical Specification

Dimensions



Typical Wiring using 3000/BASE



Technical Specification:

Environment	-10°C to 55°C - TEMP56 & TEMP64 -10°C to 70°C - TEMP84
Ingress Protection	IP41
Applicable Standard	EN54 Part 5 : 2000
Approvals	TEMP56 & TEMP64 Approved by L.P.C.B. Certificate Number: 201g/01, 201g/02
Weight (excluding base)	119g
Operating Voltage	16V - 30V DC
Quiescent Current	40µA
Alarm Current	Determined by control panel - 50mA Max

BASE Options:

3000/BASE

Low profile common mounting base

3000/SB

24V DC Electronic sounder base

3000/SBEA

24V DC Electronic sounder beacon base

3000/RBNO or 3000/RBNC

Normally open or normally closed relay base



Company Policy is one of continuous improvement, we reserve the right to change specification without prior notice

Protec Fire Detection Plc, Protec House, Churchill Way, Nelson, Lancashire, BB9 6RT

Tel: 01282 717171 Fax: 01282 717273 Web: www.protec.co.uk Email: sales@protec.co.uk